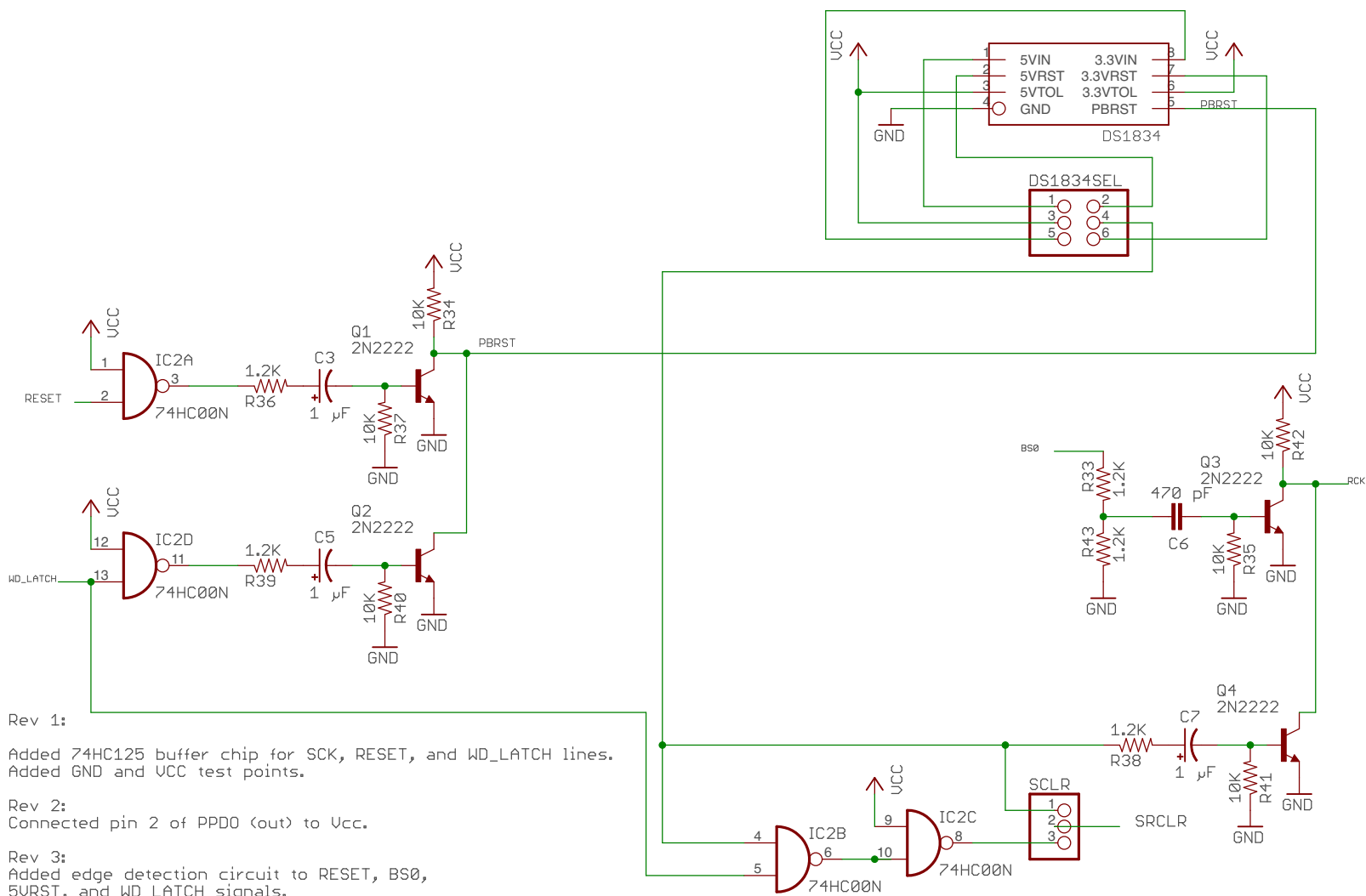


Plantation Productions, Inc.

TITLE: *ssr16*

Design by: **Randall Hyde** REV:

Date: 6/25/17 2:21 PM Sheet: 1/2



- Rev 1:
 Added 74HC125 buffer chip for SCK, RESET, and WD_LATCH lines.
 Added GND and UCC test points.
- Rev 2:
 Connected pin 2 of PPDO (out) to Ucc.
- Rev 3:
 Added edge detection circuit to RESET, BS0,
 5VRST, and WD_LATCH signals.
 Added Ucc selection to DS1834.
 Modified circuit to use DS1834 rather than DS1834D.
- Rev 4:
 Re-laid out board for better power control; increased SSR contact
 trace sizes.
- Rev 5:
 Moved trace from 74c00 pin 5->11 to pin 5->13
- Rev 6:
 Replaced 2-pad capacitors with 3-pad capacitor pads on PCB to
 allow larger 0.2" and 0.3" centers for capacitor leads.
 Moved resistors around to fit on the board better.

Plantation Productions, Inc.	
TITLE: <i>ssr16</i>	
Design by: Randall Hyde	REV:
Date: 6/25/17 2:21 PM	Sheet: 2/2